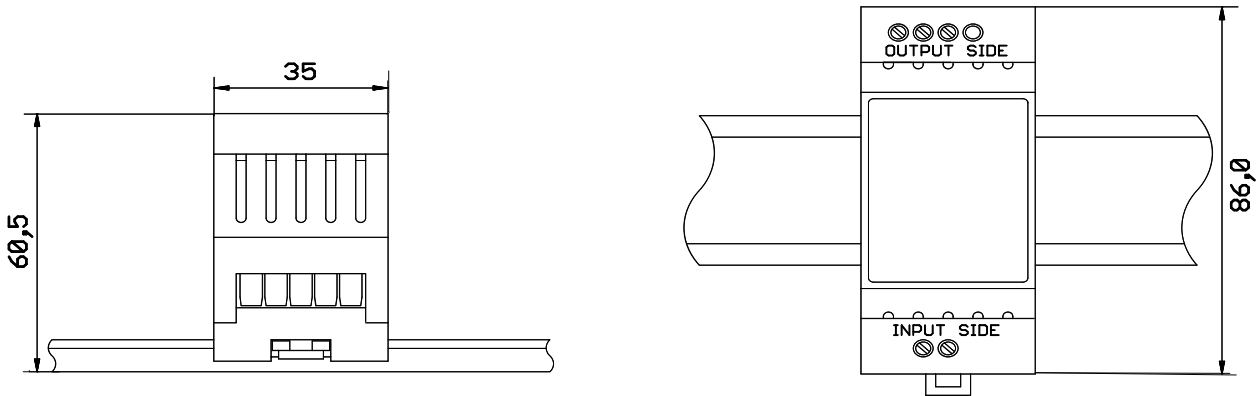


## DIN RAIL Module PHM1-Vx for DC/DC Converter up to 1"x 2"



*Case material is for the top cover (Lexan), lower case (Noryl) . Class UL94V0  
Top cover includes ventilating louvers for cooling by air convection*

The PHM1-Vx module can hold dc/dc converters with dimensions of 31x20mm (DIP24 / 1.5Watt ..... 8Watts) or in 25x50mm (1"x2" / with 10 ...15Watts). This unit is mountable on the DIN RAIL System TS35.

- Version V1 the basic configuration includes the lower case with a DIN RAIL clip and the basic PCB with screwing connectors and soldered in DC/DC converter.
- Version V2 configuration includes an additional top cover with label. All other features are like version V1.
- Version V3 includes an automatic reversible polymer fuse, LED for visual operation control, backup capacitors, surpressing diodes and polarity safety.
- Optional PEAK offers also output voltage trimming and remote on/off function, if the used DC/DC converter supports these features. Also customer oriented combinations are possible.

Specification can be changed without notice.

Copyright PEAK electronics GmbH

REV:Jan 2008